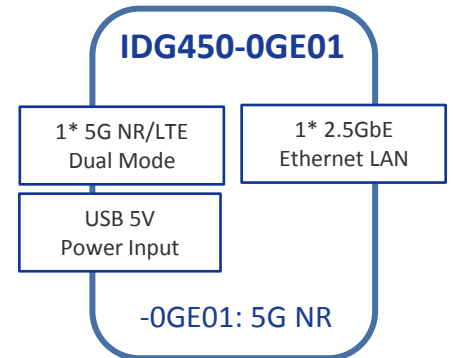


# IDG450-0GE01 5G Ethernet Modem



The IDG450 is a 5G Ethernet modem which includes 5G-NR and LTE dual-mode cellular capability for the Internet uplink and a 2.5 Gigabit Ethernet port to connect the local device. With its smart network monitoring and auto-reconnect mechanism, it's qualified to provide a robust and consistent connection for the application's need in the field. The industrial design also makes the device to operate in a harsh environment. 5G-NR cellular helps the device to replace original Gigabit-level fixed line and make the service more available where people need it.



### Applications:

- Professional A/V
- IP Surveillance
- Manufacturing
- Site Survey (Drone)

### High-Speed Network

- 5G-NR with EN-DC and CA Support
- 2.5 Gigabit-Ethernet

### Easy Installation

- Compact Design
- Mounting Kit

### Flexible Integration

- Router Mode or Modem Mode Options
- Web-based GUI & SSH CLI

### Industrial Design

- -30 ~ 60 °C Operation Temperature
- DC 5V Power Input



# Specification Summary

## *Device Interface*

- **Cellular Module:** 1\*5G/LTE, 3GPP Rel. 15
- **5G NR:** n1/n2/n3/n5/n7/n8/n12/n20/n25/n28/n38/n40/n41/n48/n66/n71/n77/n78/n79
- **LTE Band:**  
FDD: B1-B5/B7/B8/B12-B14/B17-B20/B25/B26/B28-B30/B32/B66/B71  
TDD: B34/B38/B39-B43/B48
- **3G Band:** B1/B2/B3/B4/B5/B6/B8/B19
- **Ethernet:** 1\*RJ45 2.5GbE
- **SIM:** 1\*micro-SIM (3FF)
- **Power Input:** DC 5V (USB Type C)
- **Antenna Con.:** 4\*SMA (F)-5G/LTE

## *WAN & Uplink*

- **WAN:** 5G/LTE Dual-Mode Cellular
- **Network Monitor:** ICMP/DNS Query

## *Protocol*

- **LAN & VLAN:** DHCP Server
- **IPv6:** Cellular IPv6

## *Security*

- **Firewall:** SPI Firewall with Stealth Mode

## *Administration*

- **Configuration:** Web UI, CLI
- **System:** Upgrade, Reboot & Reset

## *Environment*

- **Operation Temperature:** -22°F-140°F (-30°C-60°C)
- **Storage Temperature:** -40°F-185°F (-40°C-85°C)
- **Humidity:** 10%~95% (non-condensing)
- **Enclosure:** Metal
- **Dimension:** 77.4(W)x68.5(D)x26(H)mm  
77.4(W)x82.6(D)x26(H)mm

## *Certification*

- FCC (\*)
- IC/ISED (\*)

## *Carrier Approval*

- AT&T(\*)
- Verizon(\*)

## *Package Accessory*

- 1\*IDG450-0GE01
- 4\*Cellular Antenna
- 1\*Power Adapter (DC 5V)
- 1\*Cat 6 RJ45 Cable

## Note

- Specifications are subject to change without prior notice.
- Certifications and carrier approvals are under planning.

UK Sales : 0333 130 1015  
www.5gstore.co.uk